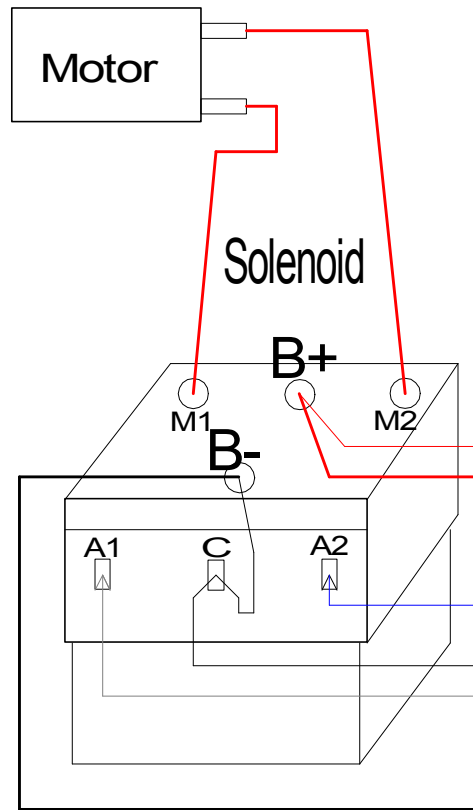


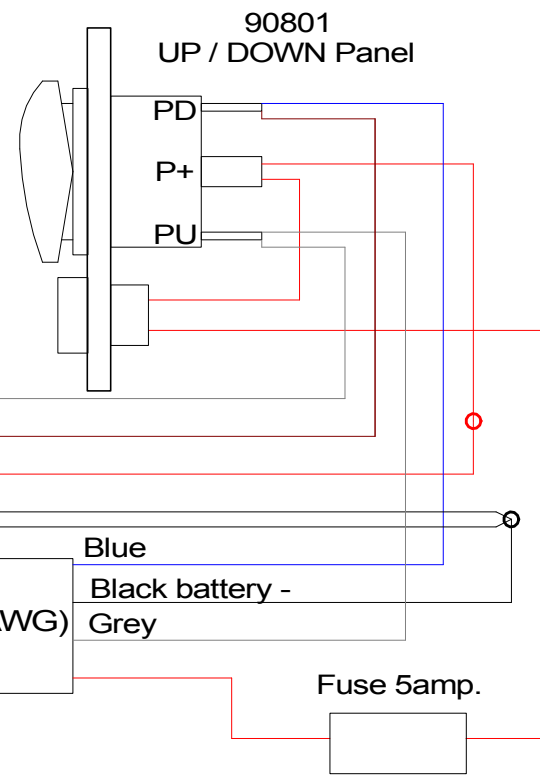
Trouble shooting 2 wire motor Barracuda 600 900 Dolphin 1000

Switch ,cable and connector test.

- 1: Check you have battery power on P+ on rocker switch, if not, check fuse and on/off switch
2. Use a small wire and connect P+ and PD windlass goes down. Connect P+ and PU windlass goes up. If not check switch, cables and cables connectors.
- 3: If al works, but not when using rocker switch, check switch.



91354
Note ! Radio controll box.
 Place the receiver unit as high in boat as possible
 Keep away from steel and heavy cable



Output "IN" Blue
 Output "OUT" Yellow

Grey "UP"
 Brown "DOWN"
 Red battery +
 Black battery -

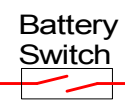
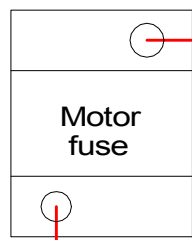
Black battery -

Blue
 Black battery -
 Grey

4-Conductor cable 1.5mm (16AWG)

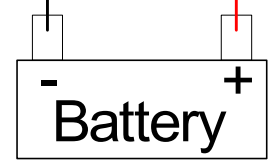
Fuse 5amp.

Note ! If windlass goes DOWN when you push "UP", change possession on wire A1 and A2 on solenoid.



Motorcable 16-25mm (6 - 4 AWG)

Motorcable 16-25mm (6 - 4 AWG)



Motor and Solenoid test.

- 1: Check you have battery power on B+ and B-. If not check motor fuse and battery.
- 2: Motor test. Remove cable M1 and M2 from solenoid, connect M1 cable to B+ and M2 cable to B- , motor goes one way. Connect M1 cable to B- and M2 cable to B+ motor goes the other way. If ok put the wire back on.
- 3: Solenoid test. Use a small wire, connect B+ and A1 solenoid clicks and motor goes one way. Connect B+ and A2 solenoid clicks and motor goes the other way.

